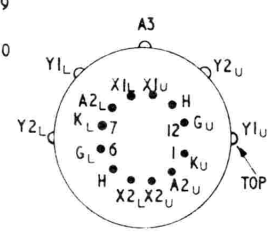


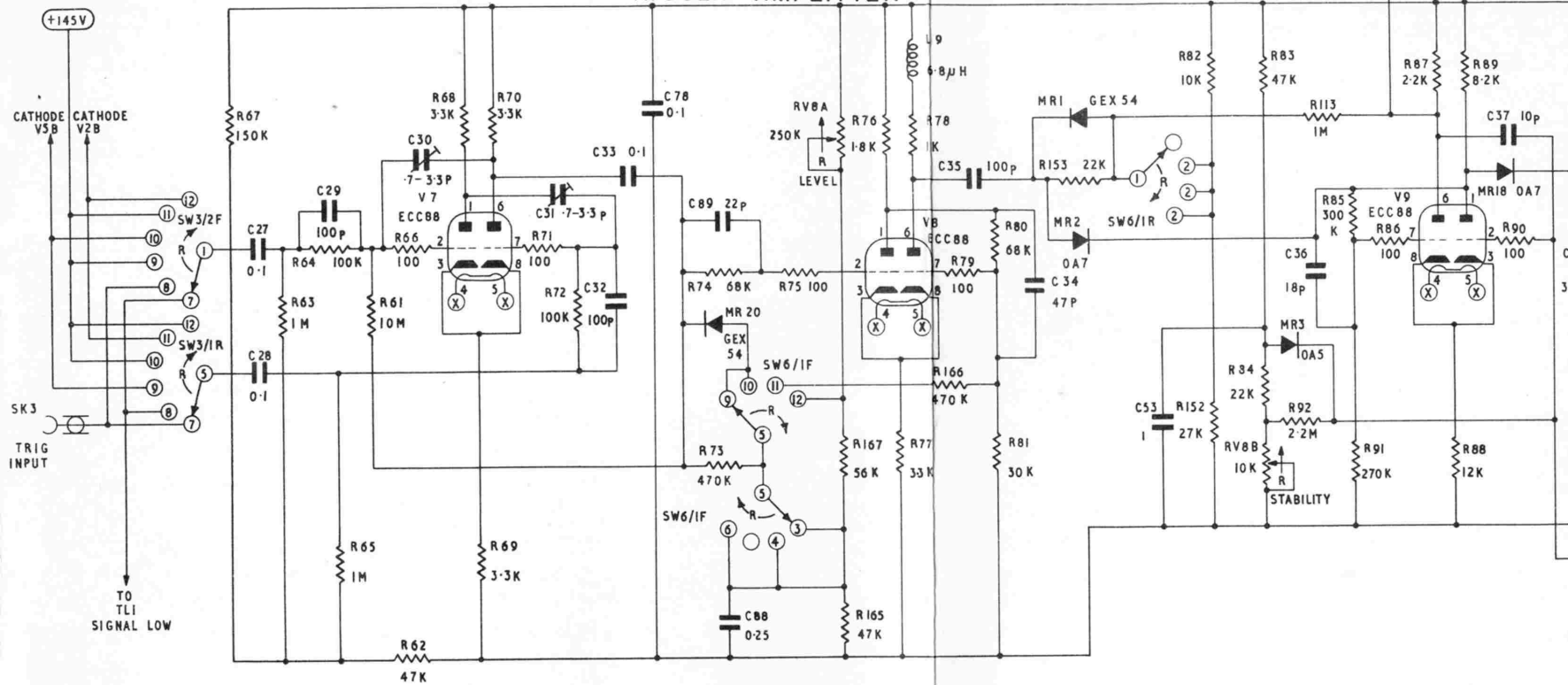
- NOTES
- 1 ALL CAPACITOR VALUES ARE GIVEN IN MICROFARADS UNLESS OTHERWISE STATED.
 - 2 R → INDICATES DIRECTION OF MOTION FOR CLOCKWISE ROTATION OF CONTROL KNOB.



PIN CONNECTIONS OF V19 FROM BASE END.

TRIGGER AMPLIFIER

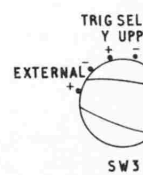
www.ElectroJumble.org.uk



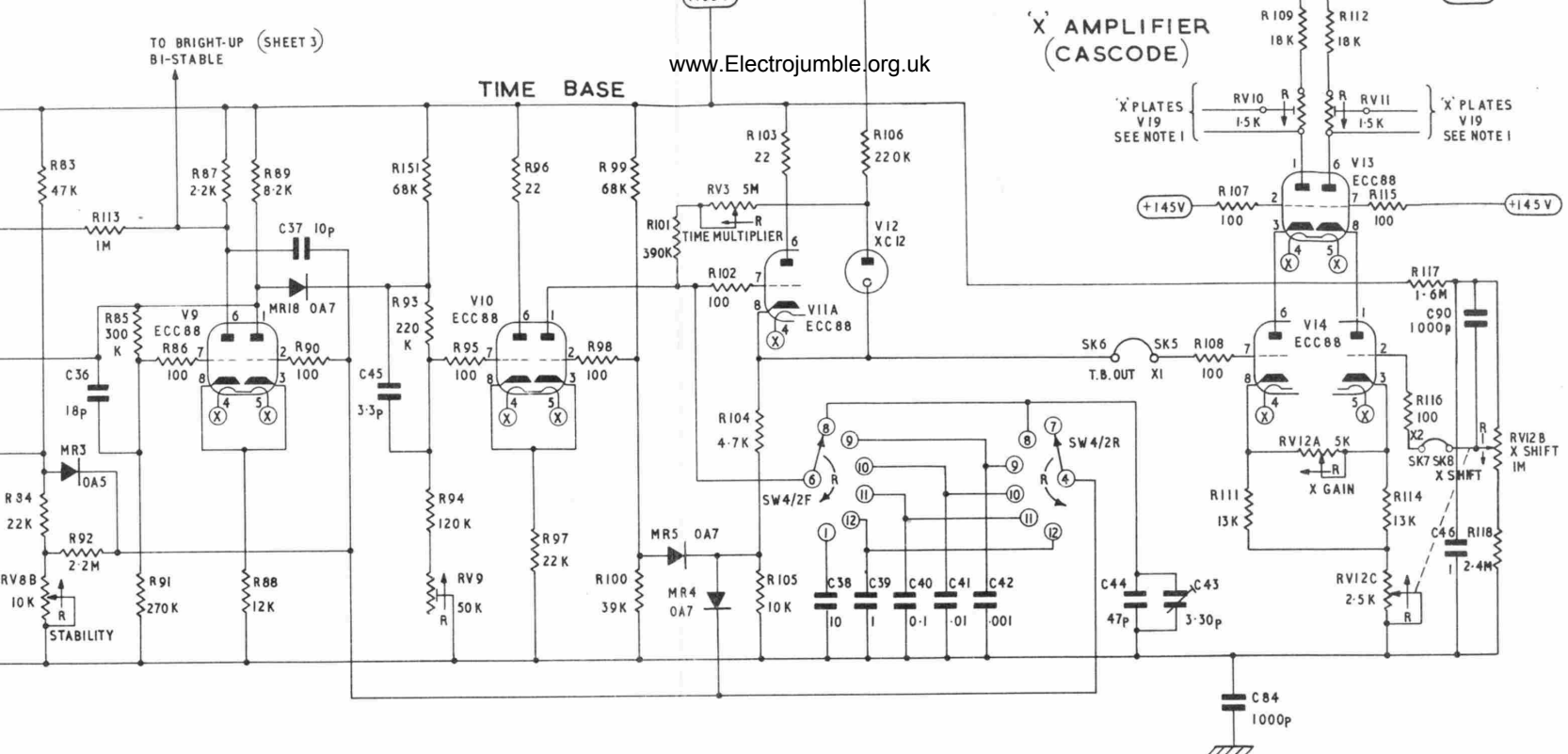
NOTES:-

1. CONNECTIONS TO RV10 AND RV11 TO BE ADJUSTED ON TEST
2. ALL CAPACITOR VALUES ARE GIVEN IN MICROFARADS UNLESS OTHERWISE STATED.
3. R → INDICATES DIRECTION OF MOTION FOR CLOCKWISE ROTATION OF CONTROL KNOB.
4. WAFER SWITCH DESIGNATION
eg SW 3/2F INDICATES THE FRONT SIDE OF SECTION 2 ON SW3.
R INDICATING REAR SIDE.

www.ElectroJumble.org.uk



'X' AMPLIFIER (CASCODE)



TO BRIGHT-UP (SHEET 3)
BI-STABLE

TIME BASE

'X' PLATES V19
SEE NOTE 1

'X' PLATES V19
SEE NOTE 1

